

DiamondAir 23.1 SEER2 12K BTU Wall Mount Mini Split

Set Model

Indoor unit model DF2012HMS12
 Outdoor unit model D2012SHO2

Certified



SYSTEM PERFORMANCE DATA

Power supply		
Normal Operational Voltage	(V, Ph, Hz)	208/230V,1Ph,60Hz
Voltage Range	(V)	187-253
Electrical		
Minimum circuit ampacity(Outdoor)	(A)	15.0
Max.fuse(Outdoor)	(A)	15.0
Connection wiring		14AWG*4
Cooling		
Capacity	(Btu/h)	12000(3700~13300)
Powrer Input	(W)	923(200~1150)
Current	(A)	2.5(0.86~5)
SEER2	(Btu/W)	23.1
EER2	(Btu/W)	13.0
Heating		
Capacity	(Btu/h)	12000(5100~14300)
Powrer Input	(W)	978(350~1400)
Current	(A)	4.25(1.5~6.0)
HSPF2-4	(Btu/W)	10.5
HSPF2-5	(Btu/W)	8.0
COP	W/W	3.60
Heat at 17F(H32)	(Btu/h)	10300
Heat at 5F(H42)	(Btu/h)	11000
COP at 5F(H42)	W/W	1.88

REFRIGERANT PIPE DATA

Throttle type	Indoor unit	N/A
	Outdoor unit	EXV
Design pressure	(PSIG)	550/340
Refrigerant Type		R410A
Refrigerant charge	oz	41.62
	(ft)	25.0
Refrigerant precharge	(m)	7.5
Additional charge for each ft	(oz/ft)	0.16
Additional charge for each m	(g/m)	15.0
Liquid side/ Gas side(indoor)	(inch)	1/4"/1/2"
	(mm)	6.35/12.7
Liquid side/ Gas side(outdoor)	(inch)	1/4"/1/2"
	(mm)	6.35/12.7
Max. pipe length	(ft)	82.0
	(m)	25.0
Max. difference in level	(ft)	32.8
	(m)	10.0
Connection method		Flared
Indoor(cooling)	(Deg. °F)	60~90
	(Deg. °C)	16~32
Indoor(heating)	(Deg. °F)	32~86
	(Deg. °C)	0~30
Outdoor(cooling)	(Deg. °F)	-22~122
	(Deg. °C)	-30~50
Outdoor(heating)	(Deg. °F)	-22~75
	(Deg. °C)	-30~24

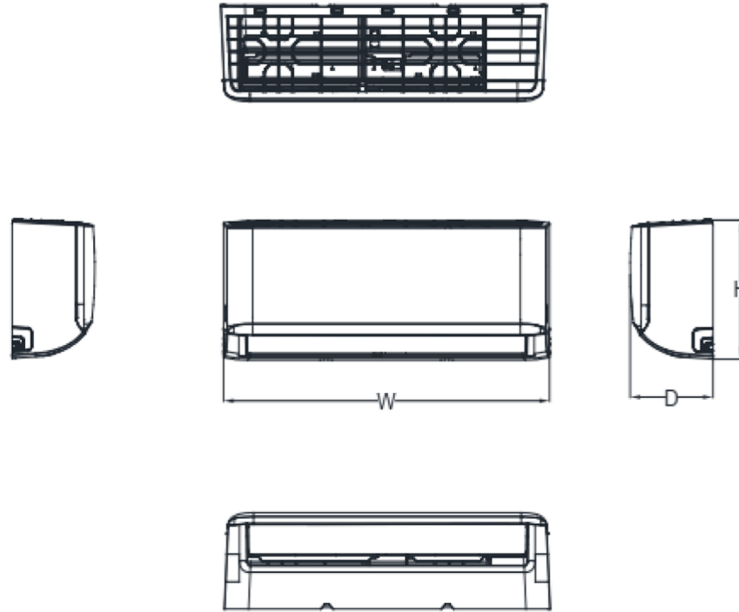
INDOOR UNIT DATA

Indoor fan motor		
Model		ZKFP-13-8-4
Qty		1
Input	(W)	/
Output	(W)	13.0
RLA	(A)	0.4
Speed(Hi/Mi/Lo)	(r/min)	1250/950/750
Air flow & Noise level		
Indoor air flow (Hi/Med/Lo) (No duct)	(CFM)	341.18/291.18/194.12/152.94
Indoor noise level (Hi/Med/Lo)	[dB(A)]	41.5/36/24
Dehumidification	(L/H)	1.45
Indoor unit		
Dimension (WxDxH)	(inch)	31.57x7.87x11.61
	(mm)	802x200x295
Packing(WxDxH)	(inch)	34.45x11.22x14.96
	(mm)	875x285x380
Net/Gross weight	(lbs.)	18.74/24.25
	(kg)	8.5/11

OUTDOOR UNIT DATA

Compressor		
Type		ROTARY
Model		KTN110D42UFZ
Brand		GMCC
Capacity	(Btu/h)	11823
Input	(W)	885
Rated current (RLA)	(A)	8.8
Refrigerant oil/oil charge	(ml)	VG74/350
Outdoor fan motor		
Model		ZKFN-34-10-1
Qty		1
Input	(W)	/
Output	(W)	34
RLA	(A)	0.4
Speed	(r/min)	850/680/450
Air flow & Noise level		
Outdoor air flow (Max.)	(CFM)	1324
Outdoor noise level	[dB(A)]	56.0
Outdoor unit		
Dimension (WxDxH)	(inch)	31.69x12.99x21.81
	(mm)	805x330x554
Packing (WxDxH)	(inch)	36.02x14.57x24.21
	(mm)	915x370x615
Net/ Gross weight	(lbs.)	73.63/79.37
	(kg)	33.4/36

Indoor unit dimension



Capacity	Body Code	W(mm/inch)	D(mm/inch)	H(mm/inch)
6K~11K	A	729/28.7	200/7.87	292/11.5
8K~14K	B	802/31.57	200/7.87	295/11.61
12K~21K	C	971/38.23	228/8.98	321/12.64
18K~28K	D	1082/42.6	234/9.21	337/13.27
27K~36K	F	1259/49.57	283/11.14	362/14.25

Outdoor unit dimension

